



LoCor
by SOLARIS PAPER



D67031



D67033

LoCor® by Solaris Paper

Jumbo Bath Tissue Dispenser

The LoCor Jumbo Bath Tissue Dispenser delivers the latest edition in restroom enhancement, offering a sleek, low profile shape with over 1400 feet of tissue capacity. High capacity and image control can now be achieved in one system. Available in black and stainless steel finishes.

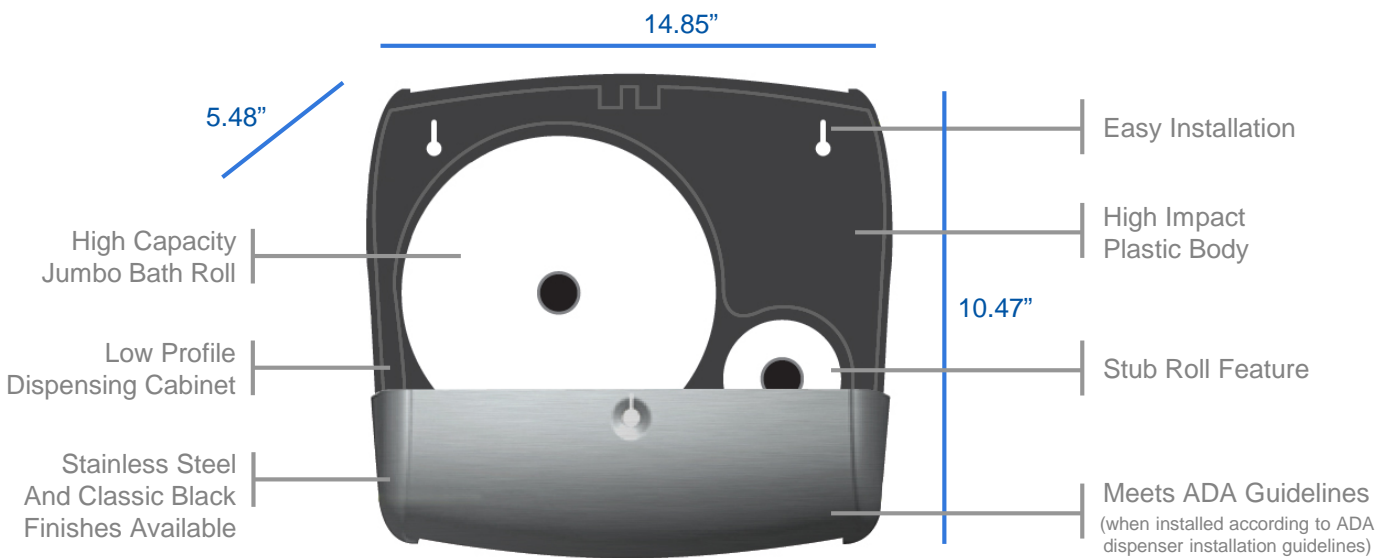
- Sleek, low profile dispensing cabinet
- Added stub roll capacity reduces product waste
- Reduces labor by 70% versus the leading 550-sheet/80 roll conventional 2-ply bath tissue products
- Reduces packaging waste by 35% versus conventional 550-sheet/80 roll tissue products



Greater Efficiency in a High Capacity Jumbo Roll Dispensing System



The LoCor Jumbo Bath Tissue Dispenser and the innovative reduced core design of LoCor bath tissue products reduce labor, lower costs and create a cleaner, safer restroom. LoCor paper products are derived from Rapidly Renewable Fiber (RRF). RRF products contribute to an environmentally friendly building operation, and meet the requirements of the U.S. Green Building Council (USGBC) LEED standards.



SKU	LoCor® Dispenser	Finish	Case Dimensions	Qty.	Case Wt.	Product Dimensions	Product Wt.
D67031	Jumbo Bath Tissue Dispenser	Stainless	17.13" x 12.80" x 7.68"	1	5.98 lb.	14.85" x 10.47" x 5.48"	3.78 lb.
D67033	Jumbo Bath Tissue Dispenser	Black	17.13" x 12.80" x 7.68"	1	5.40 lb.	14.85" x 10.47" x 5.48"	3.74 lb.



LoCor Jumbo Bath Tissue

SKU	LoCor® Paper Product	Color	Ply	Emboss	Size (W x L)	Count	Items/Case	Total Case
26822	LoCor® Jumbo Bath Tissue	White	2-Ply	Plain	3.3" x 1200'	1200 ft.	12 rolls	14,400 ft.



SolarisPaper.com
 1-888-998-4778
 13415 Carmenita Rd.
 Santa Fe Springs, CA 90670