



Available in stainless steel, white and black finishes



D68001



D68002



D68003

LoCor® by Solaris Paper

Electronic Hard Wound Roll Towel Dispenser

Touchless electronic towel dispenser with state of the art electronic circuitry. This high capacity dispenser delivers a superior hygienic solution while lowering costs. The LoCor Electronic Towel system reduces labor, lowers costs and creates a cleaner, safer restroom.

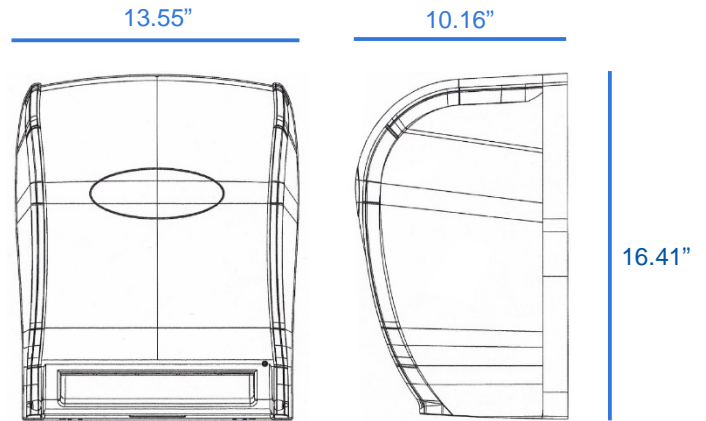
- Key lock discourages theft
- Accommodates LoCor roll towels, both 7" and 8" widths
- Variable sheet length settings
- Simple, easy to use stub roll system
- Available in three color options
- Easy to load paper, batteries and change settings
- Long battery life with up to 75,000 cycles or 2 years
- Smooth and reliable operation



High Quality Look and Low Operating Cost



Together, LoCor dispensers and the innovative reduced core design of LoCor towel and tissue products reduce labor, lower costs and create a cleaner, safer restroom. LoCor paper products are derived from Rapidly Renewable Fiber (RRF). RRF products contribute to an environmentally friendly building operation, and meet the requirements of the U.S. Green Building Council (USGBC) LEED standards.



SKU	LoCor® Dispenser	Finish	Case Dimensions	Qty.	Case Wt.	Product Dimensions	Product Wt.
D68001	Electronic HWRT Dispenser	Stainless	14.17" x 17.35" x 10.67"	1	8.2 lb.	13.55" x 16.41" x 10.16"	5.4 lb.
D68002	Electronic HWRT Dispenser	White	14.17" x 17.35" x 10.67"	1	8.2 lb.	13.55" x 16.41" x 10.16"	5.4 lb.
D68003	Electronic HWRT Dispenser	Black	14.17" x 17.35" x 10.67"	1	8.2 lb.	13.55" x 16.41" x 10.16"	5.4 lb.

LoCor Hard Wound Roll Towel



SKU	LoCor® Paper Product	Color	Ply	Emboss	Size (W x L)	Count	Items/Case	Total Case
46896	LoCor® HWRT (Mid Premium)	White	1-Ply	Full	8" x 800'	800 ft.	6 rolls	4,800 ft.
46897	LoCor® HWRT (Mid Premium)	White	1-Ply	Full	7" x 800'	800 ft.	6 rolls	4,800 ft.
46898	LoCor® HWRT (Economy)	White	1-Ply	Full	7" x 850'	850 ft.	6 rolls	5,100 ft.
46899	LoCor® HWRT (Premium)	White	1-Ply	Full	7" x 600'	600 ft.	6 rolls	3,600 ft.
46900	LoCor® HWRT (Premium)	White	1-Ply	Full	8" x 600'	600 ft.	6 rolls	3,600 ft.
46901	LoCor® HWRT (High Capacity)	White	1-Ply	Full	8" x 1000'	1000 ft.	6 rolls	6,000 ft.
46902	LoCor® HWRT (High Capacity)	White	1-Ply	Full	7" x 1000'	1000 ft.	6 rolls	6,000 ft.



SolarisPaper.com
1-888-998-4778
13415 Carmenita Rd.
Santa Fe Springs, CA 90670