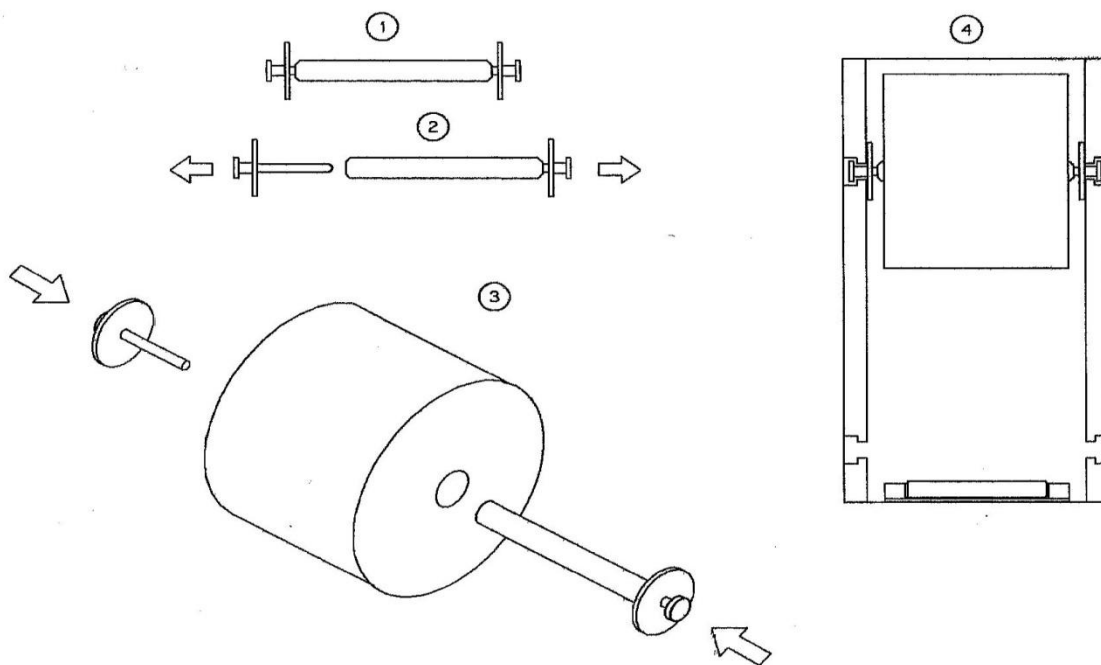


Top – Down Dispenser Adapter - Spindle

Adapter Numbers:

- D66003 BT SP-4001 Top - Down Dispenser Adapter (Bobrick)
- D66004 BT SP-4002 Top - Down Dispenser Adapter (ASI)
- D66005 BT SP-4003 Top - Down Dispenser Adapter (Bradley)

Loading Instructions:



Step 1 –

Remove Spindle Assembly from package

Step 2 –

Remove Spindle End Cap from Spindle Assembly

Step 3 –

Insert Spindle into one end of toilet paper core and the End Cap into the opposite end of the toilet paper core

Step 4 –

Load roll of toilet paper and Spindle Assembly into dispenser upper track opening