

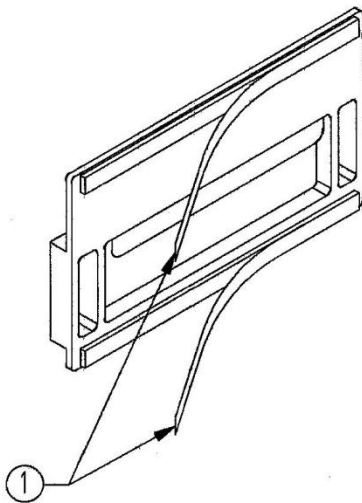
Top – Down Dispenser Adapter – Base Roller Plate

Adapter Numbers:

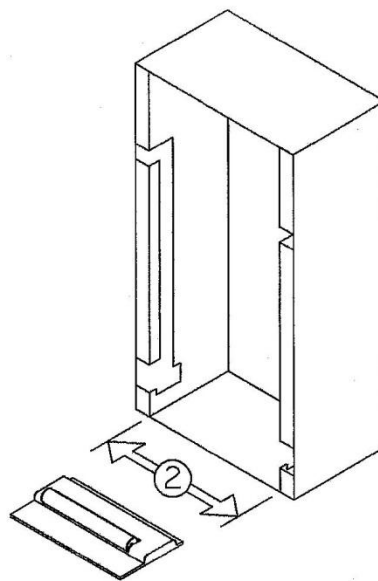
- D66003 BT SP-4001 Top - Down Dispenser Adapter (Bobrick)
- D66004 BT SP-4002 Top - Down Dispenser Adapter (ASI)
- D66005 BT SP-4003 Top - Down Dispenser Adapter (Bradley)

Base Plate Adapter Installation Instructions

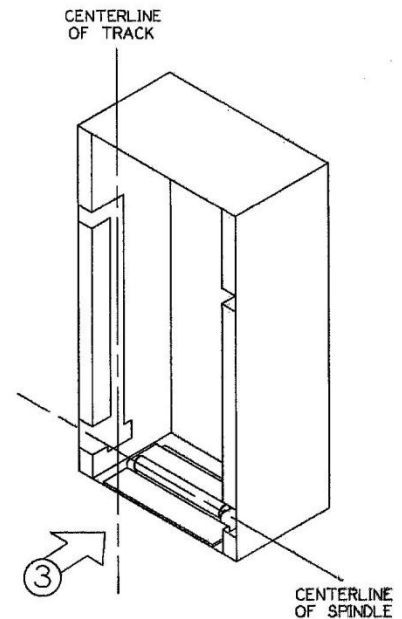
Installation Instructions:



Step 1 –
Remove protective backing
from tape



Step 2 –
Center Base Plate between
the dispenser sidewalls



Step 3 –
Center the Base Plate
Spindle with the centerline
of the track and press in
place. You may need to
rotate the Base Plate 180°
for best alignment.