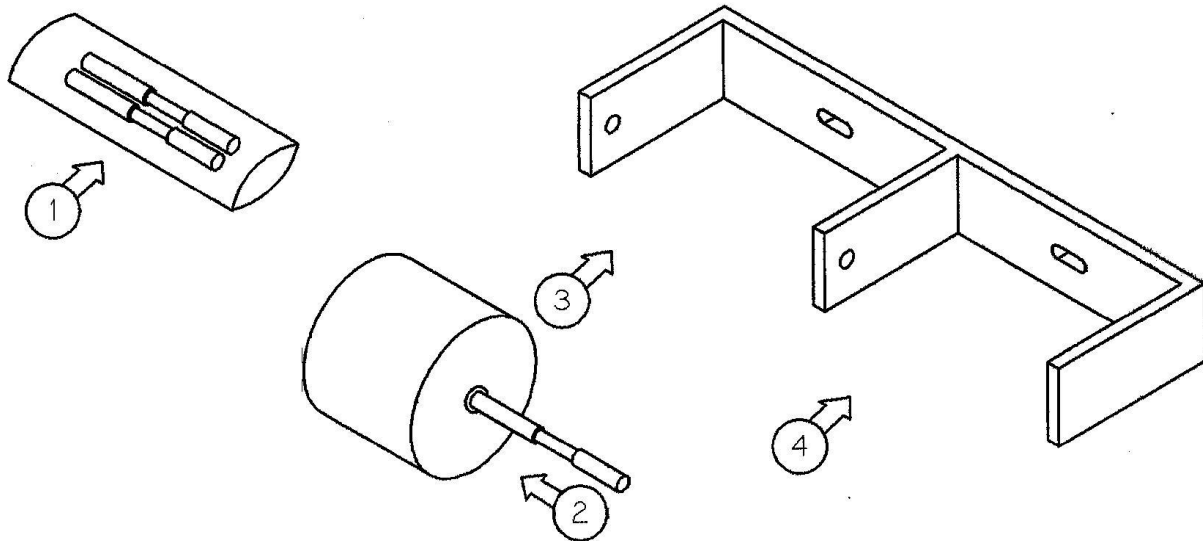


Standard Dispenser Adapter-Narrow

Adapter Numbers:

- D66007 BT SP-4005 Standard Dispenser Adapter - Narrow

Loading Instructions:



Step 1 –

Remove Spindle Assembly
from package

Step 2 –

Insert Spindle into roll
of toilet paper

Step 3 –

Compress Spindle and insert
the roll of toilet paper and
spindle into the dispenser

Step 4 –

Repeat steps 2 and 3 for
second position