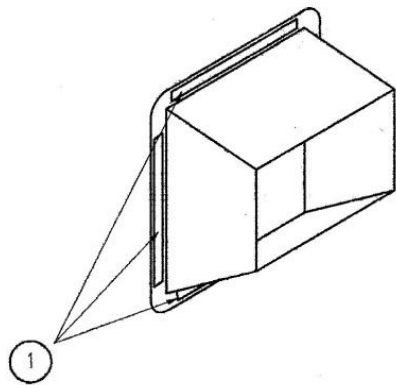


## Large Dispenser Adapter

### Adapter Numbers:

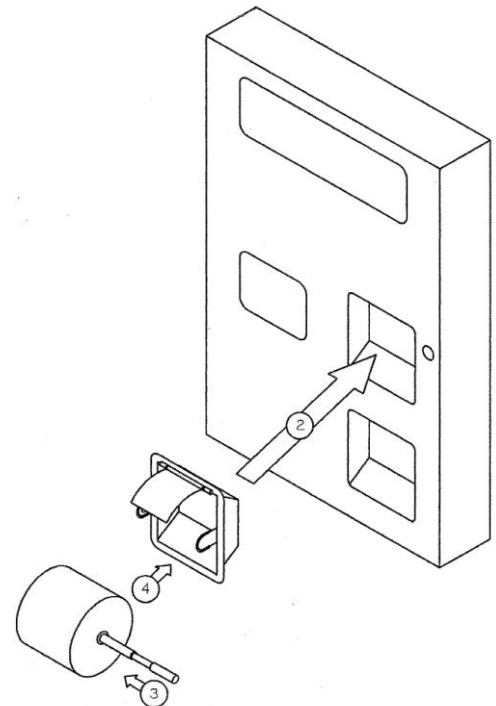
- D66008 BT SP-4006 Large Dispenser Adapter

### Installation & Loading Instructions:



**Step 1 –**  
Open dispenser and  
remove existing  
spindles. Remove  
protective backing  
from tape (4 locations)

**Step 2 –**  
Insert Adapter into first  
dispenser opening and  
press in place



**Step 3 –**  
Insert spindle into the roll  
of toilet paper

**Step 4 –**  
Compress Adapter and insert  
the  
roll of toilet paper into the  
adapter

**Step 5 –**  
Repeat steps 1 through 4 for  
second position

