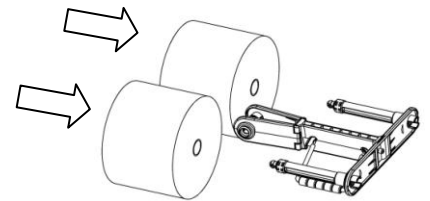
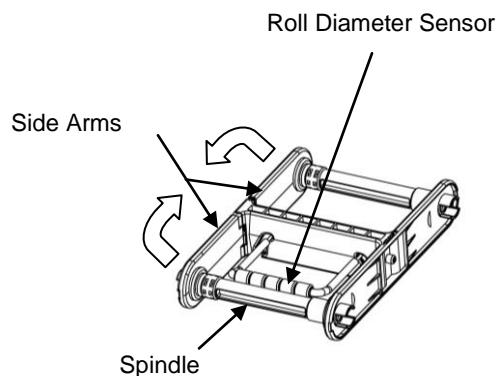
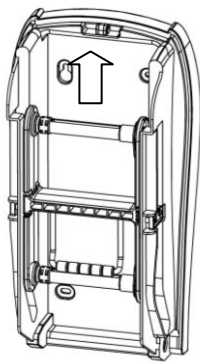


Top-Down Bath Tissue Dispenser

Dispenser Numbers:

- D67011 Manual Bath Tissue Top-Down Dispenser (Stainless)
- D67012 Manual Bath Tissue Top-Down Dispenser (White)
- D67013 Manual Bath Tissue Top-Down Dispenser (Black)

Loading Instructions



Step 1 –

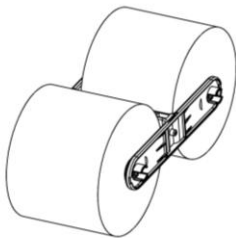
Using key – open front cover. Slide the carriage out the top of the dispenser track.

Step 2 –

Unsnap and rotate the side arms of the carriage to load new rolls of LoCor® toilet paper.

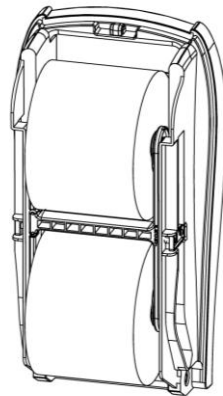
Step 3 –

Slide the new rolls of LoCor® toilet paper onto the carriage spindles. Be sure that when loading the bottom roll of paper, that the roll diameter sensor is rotated out of the way of the roll of paper.



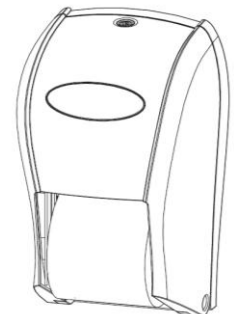
Step 4 –

Rotate the carriage side arms back toward the closed position and snap closed.



Step 5 –

Slide the carriage, loaded with LoCor® toilet paper, back into the top of dispenser track. Be sure that the roll diameter sensor is on the bottom and toward the back.



Step 6 –

Close the cover. The toilet paper is now ready to dispense.

Mounting Instructions

Tools:

- Screwdriver
- Power Drill with appropriate drill size
- Pencil
- Level

Step 1 – (refer to Fig. 1)

Measure a minimum of 17.5" minimum from the floor to the bottom of the dispenser.

Step 2 – (refer to Fig. 2)

Drill a pilot hole for the first screw. Fasten the screw to the wall, leaving a gap between the screw and the wall for the dispenser to slide over.

Step 3 – (refer to Fig. 2)

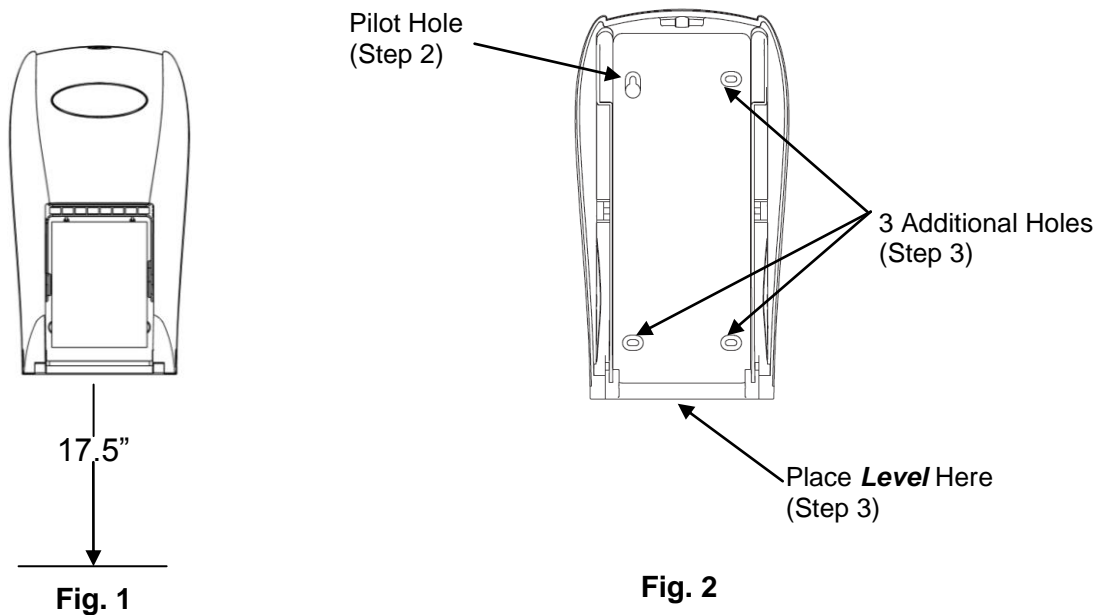
Place a level at the bottom of the dispenser to insure dispenser mounting will be correct. Mark the additional 3 mounting holes. Remove dispenser and drill pilot holes.

Step 4 –

Re-hang the dispenser on the installed screw. Fasten remaining 3 mounting screws. Be sure to securely tighten all screws.

Please use the appropriate hardware for the wall material the dispenser is to be mounted to.

Note: Mount according to ADA Guidelines, installer is responsible for compliance.



For dispenser questions contact Customer Service at: 1 (844) 896-1321 or dispensers@solarispaper.com