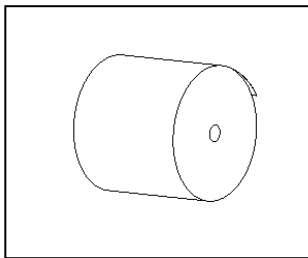


Electronic Bath Tissue Dispenser

Dispenser Numbers:

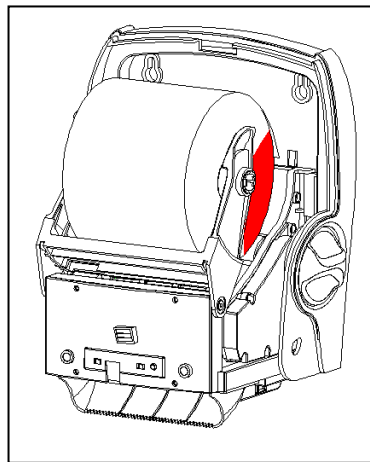
- D67001 – Electronic Bath Tissue Dispenser (Stainless)
- D67002 – Electronic Bath Tissue Dispenser (White)
- D67003 – Electronic Bath Tissue Dispenser (Black)

How to load a roll of LoCor® toilet paper:



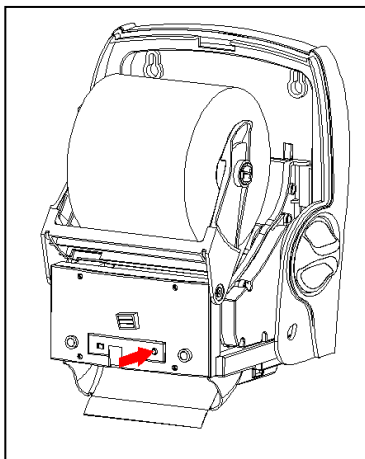
Step 1 –

Be sure to loosen the tag end of the new roll of LoCor® toilet paper that is glued down.



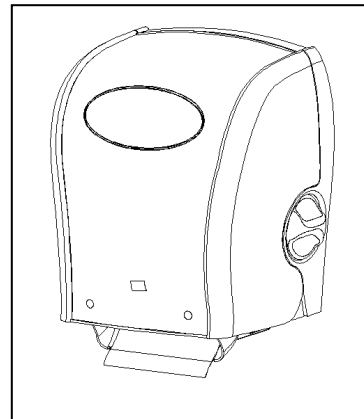
Step 2 –

Now place the roll of LoCor® in the roll holder. Make sure the paper is feeding off the top of the roll and down the back. The **Tag End** of the roll should be placed in the area between 2 O'clock and 6 O'clock as indicated in **RED**.



Step 3 –

Start feeding paper by pushing the manual dispensing button at the bottom right of the dispenser as shown by the **RED** arrow. Feed until paper starts dispensing.



Step 4 –

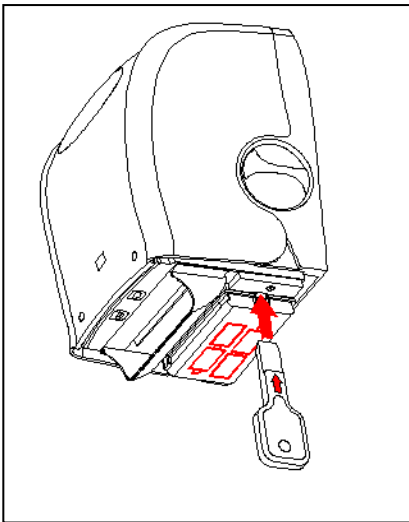
Close the cover and activate the **Hand Present** sensor. The unit will automatically dispense the first sheet of tissue.

Electronic Bath Tissue Dispenser

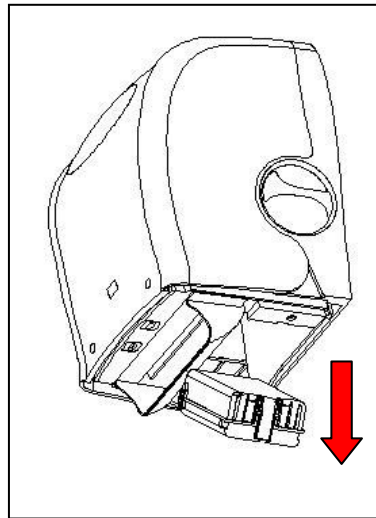
Dispenser Numbers:

- D67001 – Electronic Bath Tissue Dispenser (Stainless)
- D67002 – Electronic Bath Tissue Dispenser (White)
- D67003 – Electronic Bath Tissue Dispenser (Black)

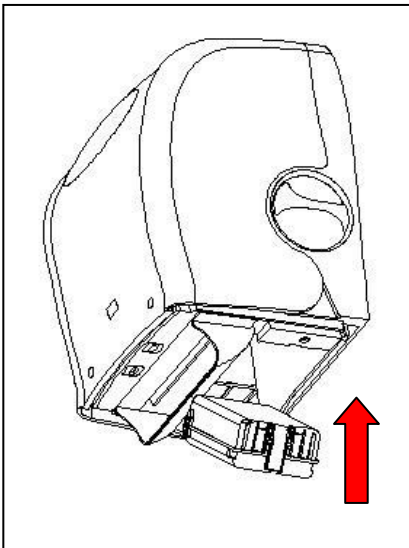
How to load or replace batteries in battery pack:



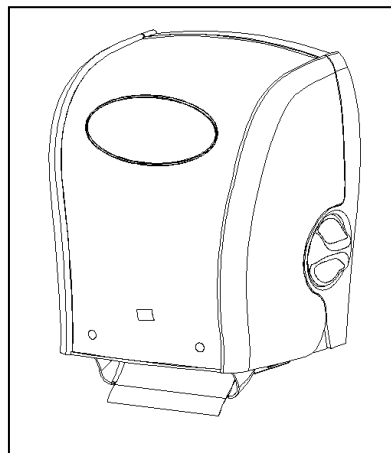
Step 1 –
Insert battery pack key on the right side of the battery pack to release the latching mechanism.



Step 2 –
Rotate the battery pack downward as indicated by the arrow in **RED**. Open battery pack as indicated on cover. Remove old batteries and dispose of properly. Insert new “C” sized batteries. Be sure to observe battery polarity as indicated on battery pack cover. Do not mix old and new batteries.



Step 3 –
Insert the left side of the battery pack first and then rotate the battery pack upward into position as indicated by the **RED** arrow.



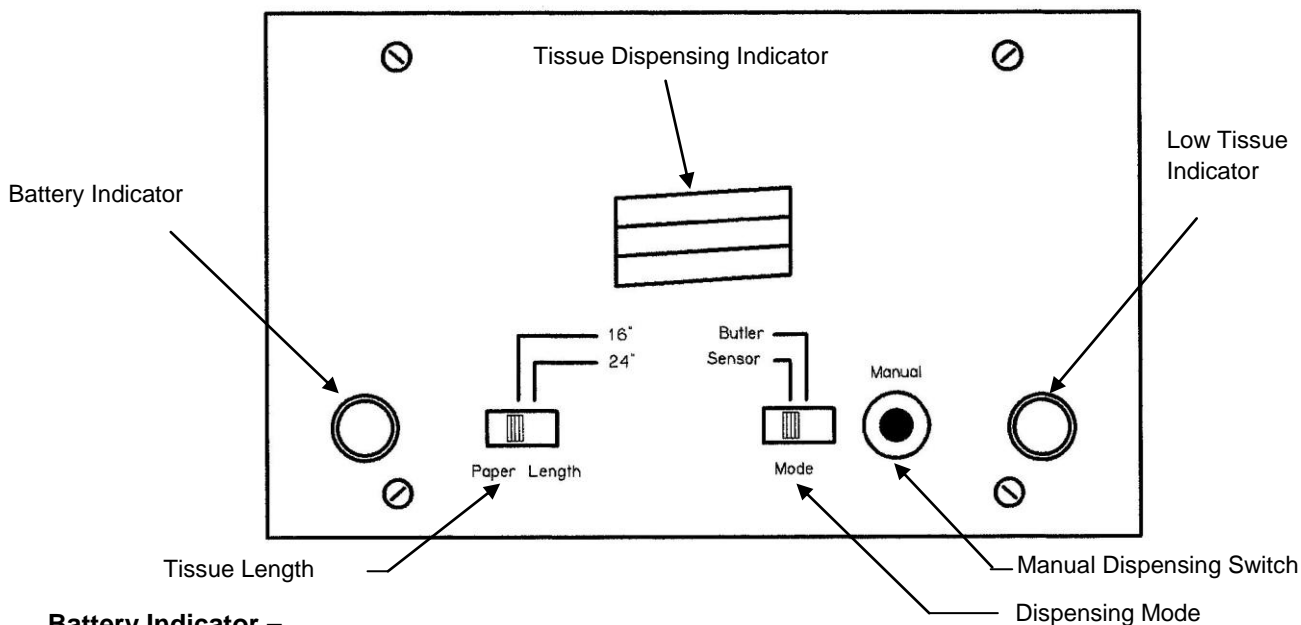
Step 4 –
Close the cover and activate the **Hand Present** sensor. The unit will automatically dispense the bath tissue.

Electronic Bath Tissue Dispenser

Dispenser Numbers:

- D67001 – Electronic Bath Tissue Dispenser (Stainless)
- D67002 – Electronic Bath Tissue Dispenser (White)
- D67003 – Electronic Bath Tissue Dispenser (Black)

Operation Guide:



Battery Indicator –

Light flashes indicating low batteries and need to be replaced. Use fresh “C”-Sized batteries, to not mix old with new.

Low Tissue Indicator –

Light flashes indicating low tissue level.

Tissue Dispensing Indicator –

The 3 LED's flash sequentially indicating that the towel is being dispensed.

Tissue Length –

Change the tissue length being dispensed to 16” or 24”. Do not use 24” setting if dispenser is mounted less than 28” from floor.

Dispensing Mode –

- Butler Mode – Will automatically dispense the next sheet of tissue when the sheet hanging is torn off.
- Sensor Mode – Will automatically dispense the next sheet of tissue when the user hand is placed under the dispenser

Manual Dispensing Switch –

Switch is used to activate the dispensing mechanism when the cover is open. Typically used when loading a new roll of tissue.

For dispenser questions contact Customer Service at: 1 (844) 896-1321 or dispensers@solarispaper.com

Mounting Instructions:

Tools:

- Screwdriver
- Power Drill with appropriate drill size
- Pencil
- Level

Step 1 – (refer to Fig. 1)

Recommended height is 28", with a minimum of 20" from the floor to the bottom of dispenser.

Step 2 – (refer to Fig. 2)

Drill a pilot hole for the first screw. Fasten the screw to the wall, leaving a gap between the screw and the wall for the dispenser to slide over.

Step 3 – (refer to Fig. 2)

Place a level at the bottom of the dispenser to insure dispenser mounting will be correct. Mark the additional 3 mounting holes. Remove dispenser and drill pilot holes.

Step 4 –

Re-hang the dispenser on the installed screw. Fasten remaining 3 mounting screws. Be sure to securely tighten all screws.

Please use the appropriate hardware for the wall material the dispenser is to be mounted to.

Note: Mount according to ADA Guidelines, installer is responsible for compliance.

