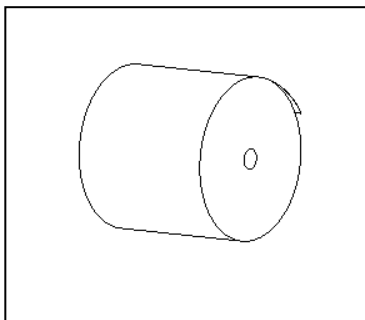


Electronic HWRT Dispenser

Dispenser Numbers:

- D68001 – Electronic Hard Wound Roll Towel Dispenser (Stainless)
- D68002 – Electronic Hard Wound Roll Towel Dispenser (White)
- D68003 – Electronic Hard Wound Roll Towel Dispenser (Black)

How to load the first roll of towels:



Step 1 –

Be sure to loosen the **Tag End** of the roll that is glued down.

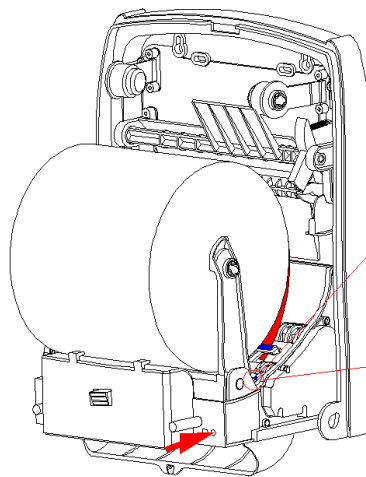
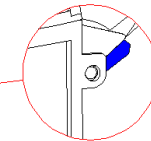


Fig: A



Ø180 mm Roll



Ø200 mm Roll

Fig: B

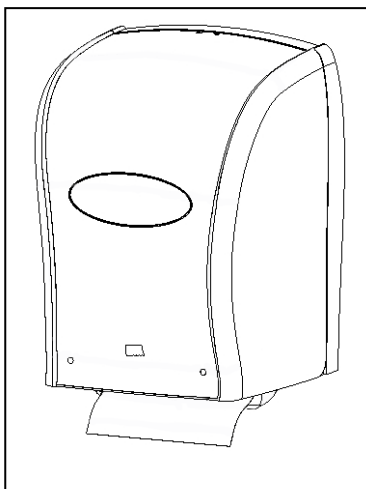
Step 2 –

Place the new roll in the lower roll holder. **Pull the paper end under the extended rollers.**

Press the “Manual Feed” button (**RED** arrow) to dispense the paper.

Important- Dispenser Set

Ensure that the lower roll holder is configured for the proper LoCor® Roll Towel. At the base of the lower roll holder (lower right and lower left) are two roll positioning pins. Ensure that both pins are placed in the position shown in Figure A above for LoCor® Towel SKU # 46899 (600 ft roll). Place the lower roll holder pins in the position shown in Figure B for LoCor Towel SKU # 46896, 46897, 46898, (700 ft or 800 ft rolls).



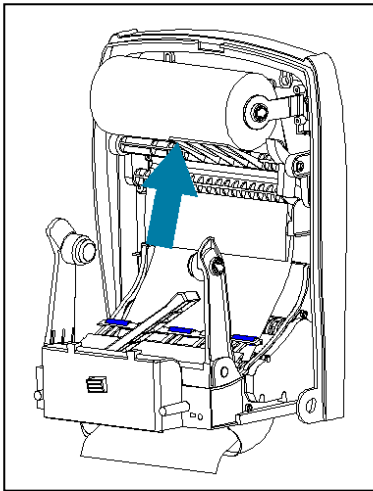
Step 3 –

Close the cover and tear the first piece of paper, and then activate the **Hand Present** sensor. The unit will automatically dispense the next sheet of towel.

Electronic HWRT Dispenser

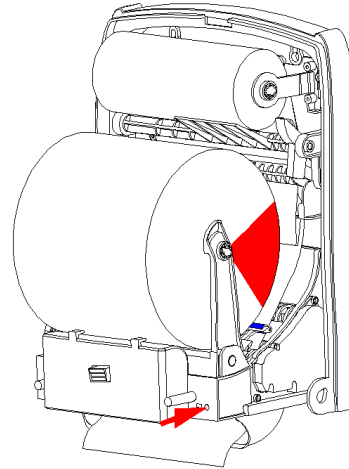
Dispenser Numbers: D68001 (Stainless), D68002 (White), D68003 (Black)

How to transfer the stub roll and new roll of towels:



Step 1 –

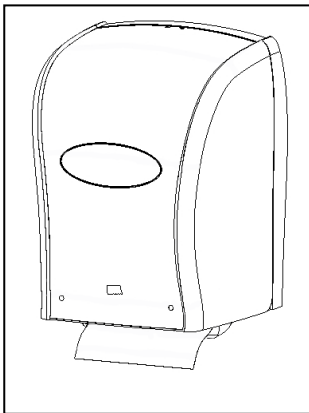
Move the stub roll to upper roll holder. Feed the paper behind the transfer mechanism and lay across the rollers. Press “Manual Feed” to dispense paper.



Step 2 –

Load a new roll of paper into the lower roll holders. The **Tag End** of the roll should be placed between 2 O'clock and 4 O'clock as indicated in **RED**.

Press the “Manual Feed” button (**RED** arrow) to dispense the paper.



Step 3 –

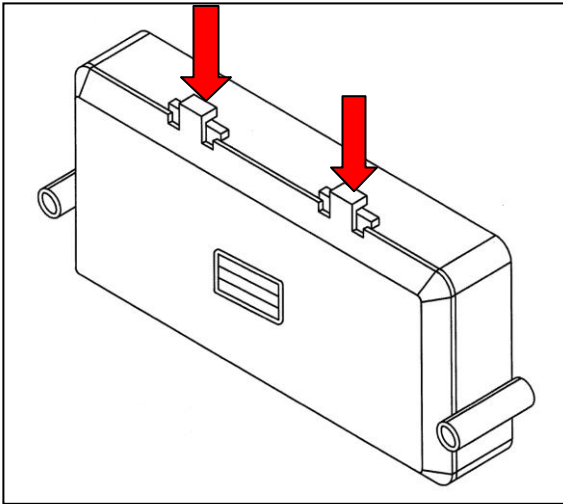
Close the cover and tear off the first piece of paper, then activate the **Hand Present** sensor. The unit will automatically dispense the next sheet of towel.

For questions contact Customer Service at: 1 (844) 896-1321 or dispensers@solarispaper.com

Electronic HWRT Dispenser

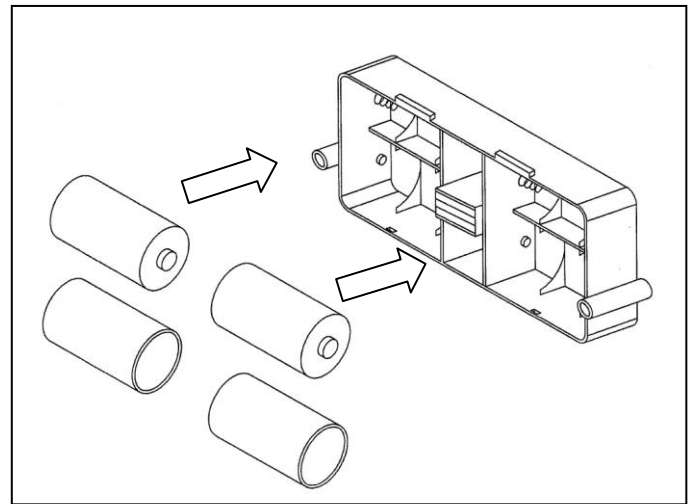
Dispenser Numbers: D68001 (Stainless), D68002 (White), D68003 (Black)

Battery Installation or Replacement:



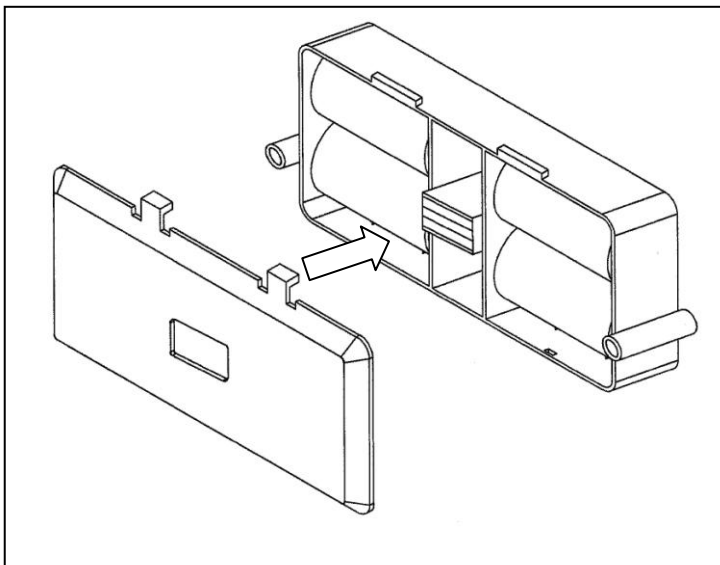
Step 1 –

Press down on the 2 top tabs of the battery cover, then rotate the cover outward and lift off.



Step 2 –

Remove old batteries, if replacing, and dispose of properly. Insert new "D" size batteries into battery compartment. Be sure battery polarities are correct.



Step 3 –

Re-install the battery cover. Insert the bottom of the cover first and then rotate upward and snap into position.

For questions contact Customer Service at: 1 (844) 896-1321 or dispensers@solarispaper.com