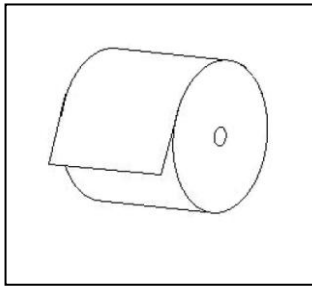


## Side-By-Side Bath Tissue Dispenser

### Dispenser Numbers:

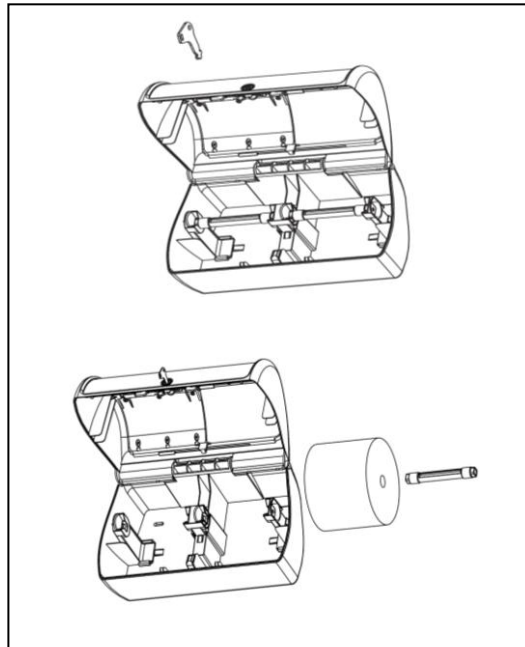
- D67021 Manual Bath Tissue Side-By-Side Dispenser (Stainless)
- D67022 Manual Bath Tissue Side-By-Side Dispenser (White)
- D67023 Manual Bath Tissue Side-By-Side Dispenser (Black)

### How to load the first 2 rolls of tissue:



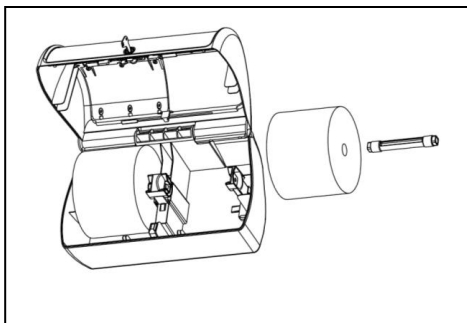
#### Step 1 –

Be sure to loosen the **Tag End** of the roll that is glued down. Be sure the Tag End is coming off the top and front of the roll.



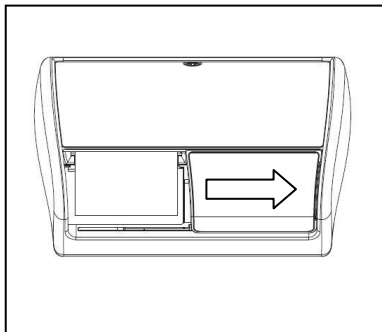
#### Step 2 –

Open the dispenser cover to expose the 2 empty spindles. To remove spindles push the outside spindle holders outward. Remove spindle from the dispenser. Insert spindle into roll of LoCor® Bath Tissue. Insert spindle end into center spindle holder. Push roll of LoCor® Bath Tissue into outside spindle holder.



#### Step 3 –

Repeat for second tissue position.



#### Step 4 –

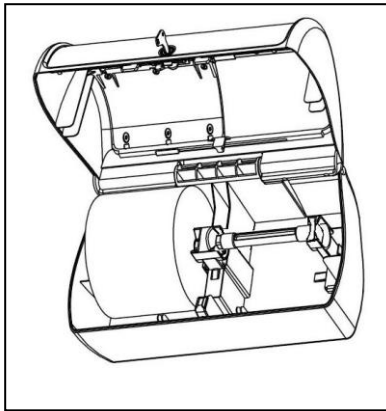
Before closing the cover, be sure the sliding door is pushed completely to one side or the other. Close the cover, the dispenser is now ready for use.

## Side-By-Side Bath Tissue Dispenser

Dispenser Numbers:

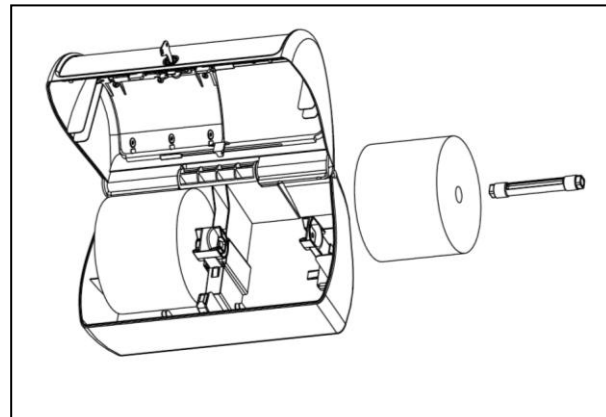
- D67021 Manual Bath Tissue Side-By-Side Dispenser (Stainless)
- D67022 Manual Bath Tissue Side-By-Side Dispenser (White)
- D67023 Manual Bath Tissue Side-By-Side Dispenser (Black)

### How to replace an empty roll of LoCor® and install a new roll:



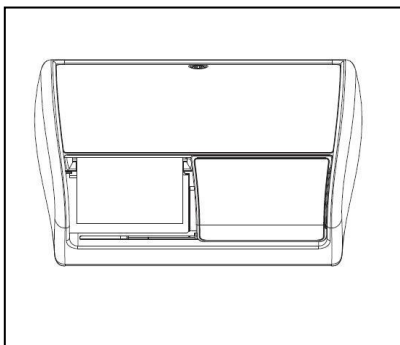
#### Step 1 –

Open the front cover to expose the empty roll of LoCor® Bath Tissue. Be sure to loosen the **Tag End** of the roll that is glued down. Be sure the Tag End is coming off the top and front of the roll.



#### Step 2 –

To remove spindle with the empty roll of LoCor® Bath Tissue, push the outside spindle holders outward. Remove spindle from the dispenser. Insert spindle into new roll of LoCor® Bath Tissue. Insert spindle end into center spindle holder. Push roll of LoCor® Bath Tissue into outside spindle holder.



#### Step 3 –

Before closing the cover, be sure the sliding door is pushed completely to the side that covers the new roll of LoCor® Bath Tissue. Close the cover, the dispenser is now ready for use.

For dispenser questions contact Customer Service at: 1 (844) 896-1321 or [dispensers@solarispaper.com](mailto:dispensers@solarispaper.com)