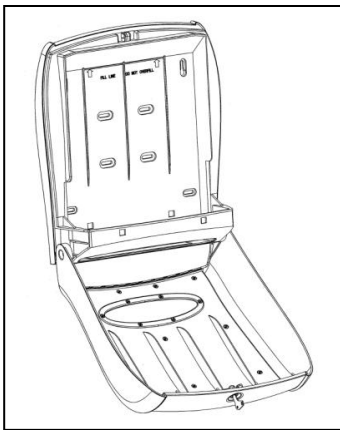


Nvi[®] RiteFold[®] Adapter Installation

Dispenser Number:

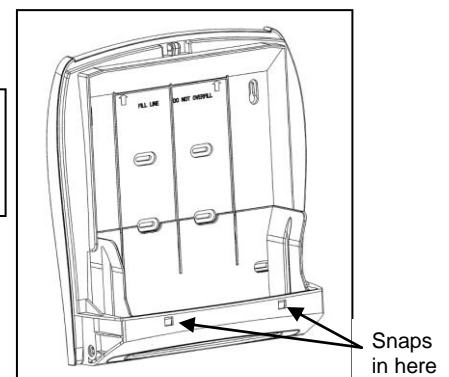
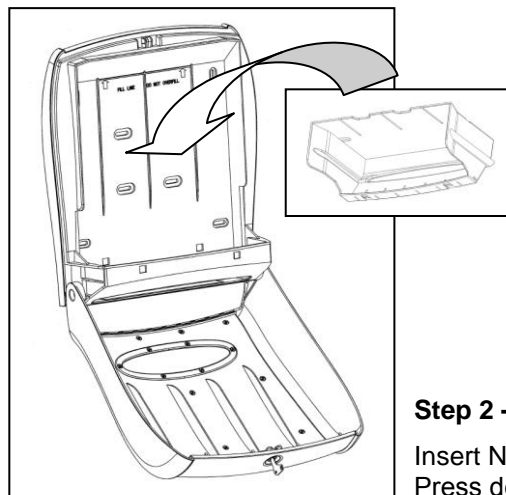
- D66009 MFT-4007 Nvi[®] RiteFold[®] Adapter

How to Install the Nvi[®] RiteFold[®] Adapter:



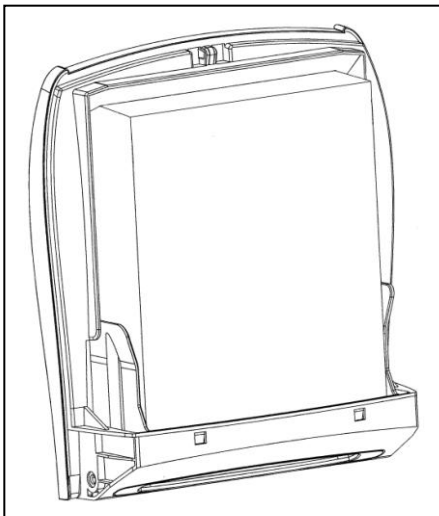
Step 1 –

Open front cover and remove all folded paper towels.



Step 2 –

Insert Nvi[®] RiteFold[®] Adapter into dispenser. Press down until the adapter “Snaps” into place.



Step 3 –

Load dispenser with new folded paper towels, approximately 1 ½ clips.



Step 4 –

Close the cover and pull first folded towel through the throat. Dispense at least one more towel to insure proper loading of the folded towels.