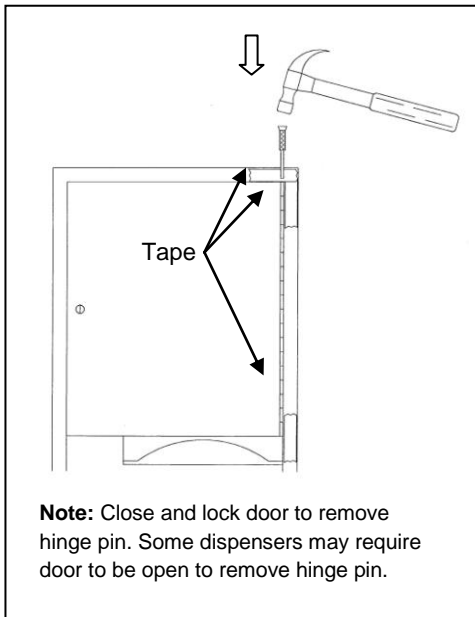


Recessed Electronic HWRT Dispenser

Dispenser Number:

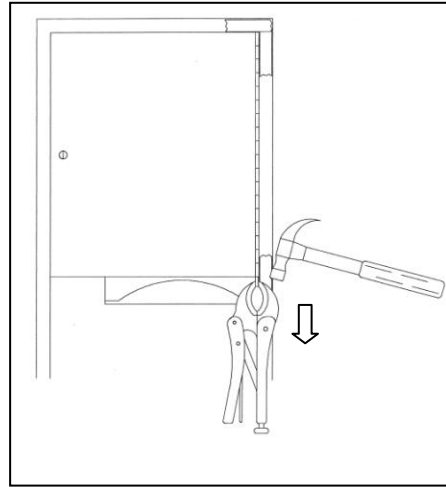
- D68011 Recessed Electronic Hard Wound Roll Towel Dispenser

How to install the Recessed eTowel Dispenser:



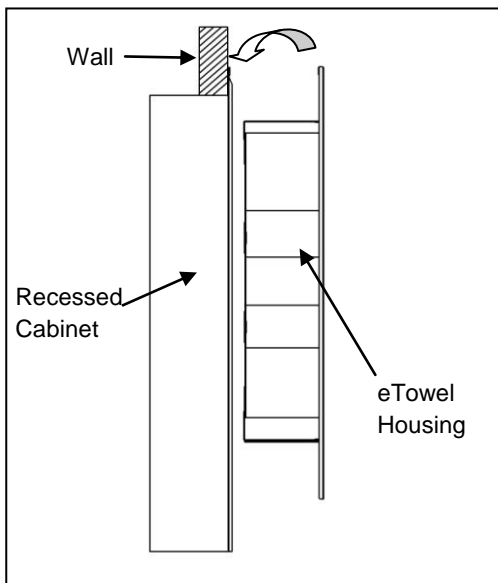
Step 1 –

To remove cover, tape the frame at the top corner by the hinge and along the side at the bottom of the hinge. Using a drift pin and hammer, tap the drift pin until enough of the hinge pin is exposed for the vise grip to grab.



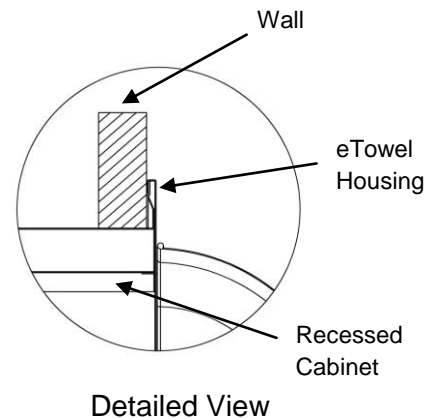
Step 2 –

Grab the bottom of the hinge pin with vise grips and pull downward to remove. It may be necessary to tap the vise grips with a hammer to aid in the removal.

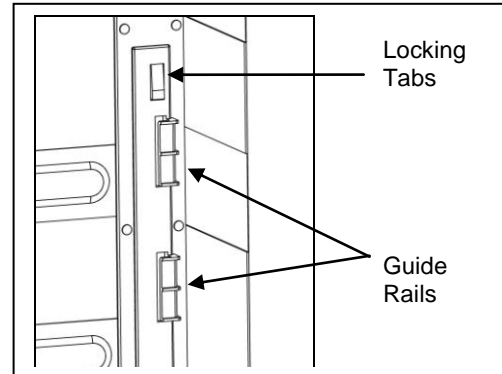
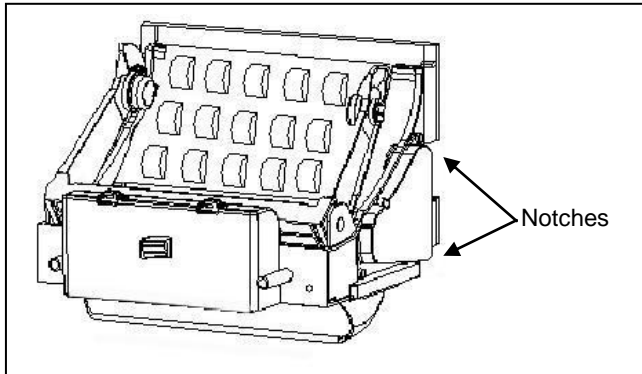


Step 3 –

The top flange of the eTowel housing hooks over the top flange of the installed folded towel cabinet. Insert one end (corner) of the eTowel top flange behind the installed cabinet top flange. Gently rotate the housing down forcing the eTowel flange behind the cabinet top flange. Be sure to center the eTowel housing over the installed folded towel cabinet. Please refer to the detailed view to see how the eTowel top flange hooks over the installed cabinet top flange.



Recessed Electronic HWRT Dispenser

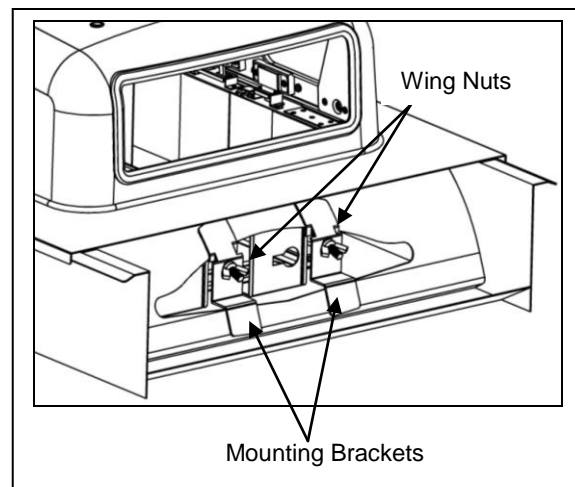
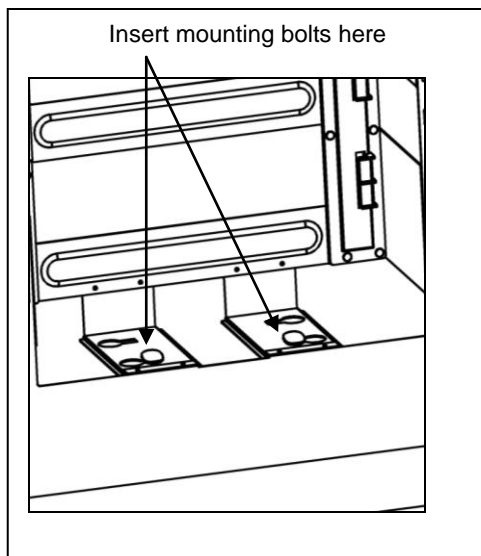


Step 4 –

Remove the Electronic Module prior to installing the cabinet into the folded towel dispenser.

Step 5 –

Depress the Locking Tabs on both sides of the Electronic Module at the top corners. Lift the Electronic Module up past the Locking Tabs aligning the Notches on the Module align with the Guide Rails. Remove the Module and carefully set aside.



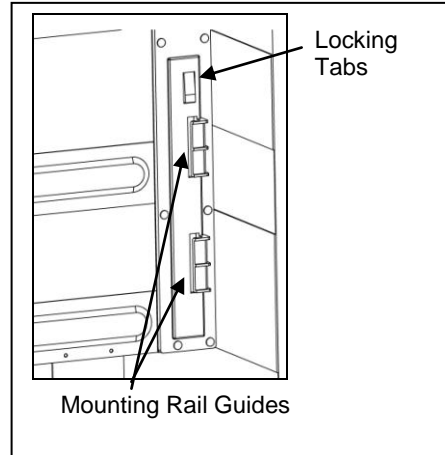
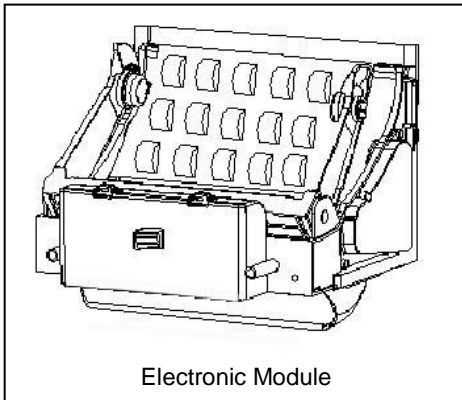
Step 6 –

Insert the bolts into the slots at the bottom of the housing. Slide to the bolts to the smaller part of the slot which prevents the bolt from rotating when wing nuts are tightened.

Step 7 –

Once the mounting bolts have been inserted, slide one of the mounting brackets up onto the bolt and then thread the wing nut, do not tighten. Repeat for the second bolt. Center the eTowel housing on the dispenser and tighten both wing nuts.

Recessed Electronic HWRT Dispenser



Step 8 –

Electronic Module Installation – Locate the (2) mounting rail guides on both sides of the back panel at the bottom of the housing. Align the corresponding tabs on the electronic module to just above the mounting rail guides. Press the Electronic Module to the back wall and slide it down into the mounting rail guides until it stops and the two locking tabs, one on each side snap the electronic module, snap in place.

How to install or replace batteries:

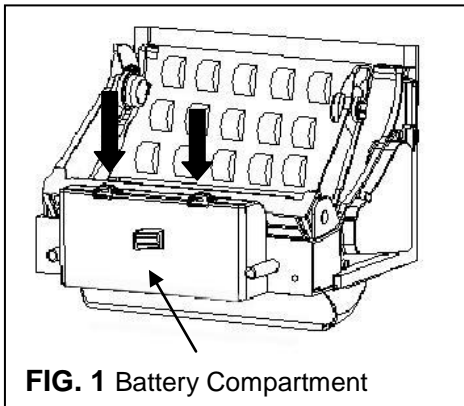


FIG. 1 – Press down on the 2 top tabs of the battery cover, then rotate the cover outward and lift off.

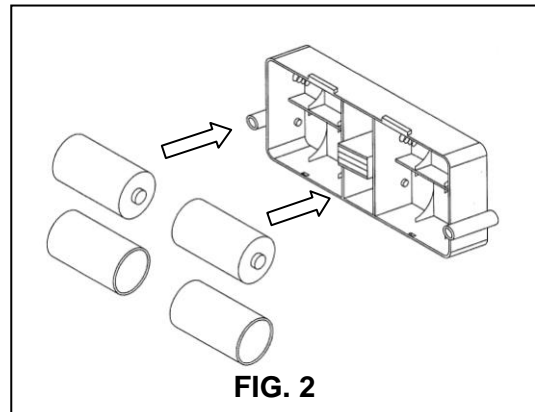
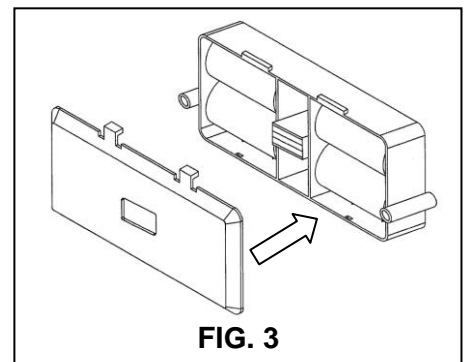


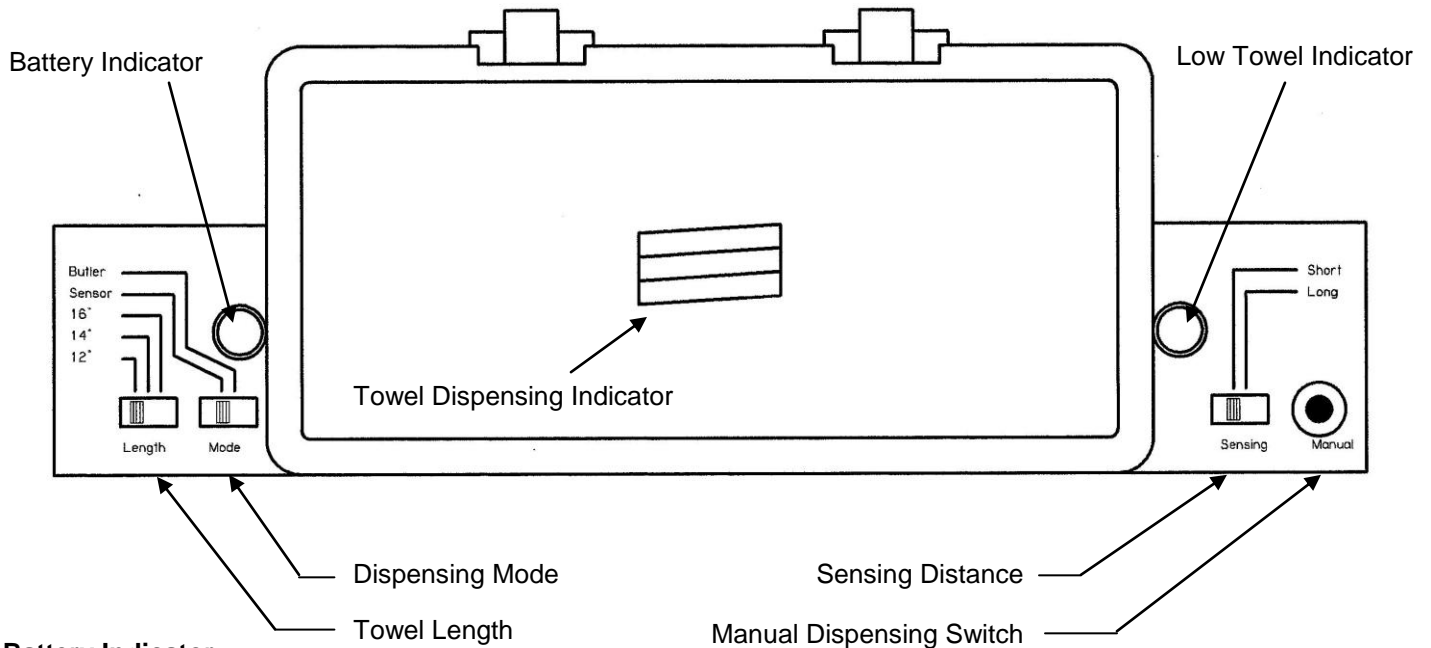
FIG. 2 – Insert “D” size batteries into battery compartment. Be sure battery polarities are correct.

FIG. 3 – Re-install the battery cover. Insert the bottom of the battery cover first and then rotate upward and snap into position.



Recessed Electronic HWRT Dispenser

Operation Guide:



Battery Indicator –

Light flashes indicating low batteries and need to be replaced. Use fresh “D”-Sized batteries, to not mix old batteries with new.

Low Towel Indicator –

Light flashes indicating low towel level. When this light flashes, it indicates that the primary roll of towel is small enough to transfer to the stub roll location and a new roll can be added to the primary roll location.

Towel Dispensing Indicator –

The 3 LED’s flash sequentially indicating that the towel is being dispensed.

Towel Length –

Change the towel length being dispensed to be 12”, 14” or 16”. Slide the switch under the line indicating the desired length.

Dispensing Mode –

- Butler Mode – Will automatically dispense the next sheet of towel when the sheet hanging is torn off.
- Sensor Mode – Will automatically dispense the next sheet of towel when the user hand is placed under the dispenser

Sensing Distance –

- Short Mode – Use this setting when the dispenser is mounted over a sink or countertop
- Long Mode – Use this setting when the dispenser is mounted directly over the restroom floor.

Manual Dispensing Switch –

This switch is used to activate the dispensing mechanism when the cover is open. Typically used when loading a new roll of towel.