

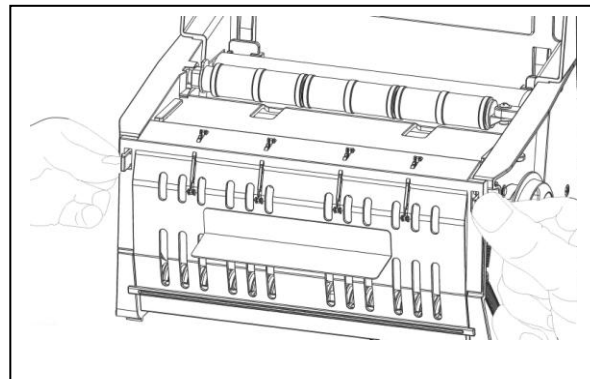
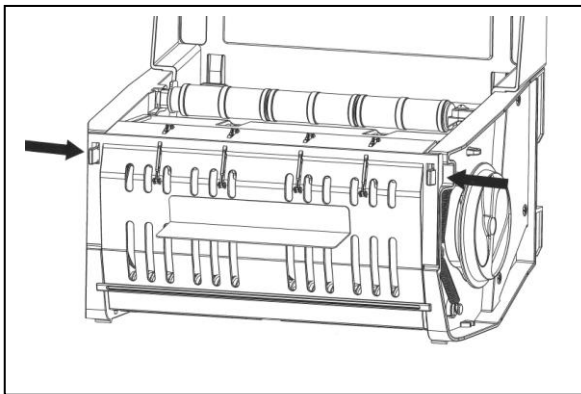
Manual Hands Free HWRT Dispenser

Loading Instructions

Dispenser Numbers:

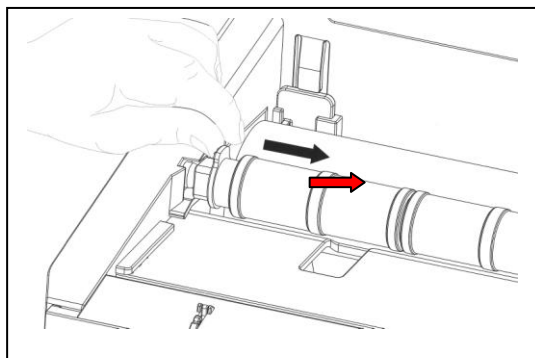
- D68004 – Manual Hard Wound Roll Towel Dispenser (Stainless)
- D68005 – Manual Hard Wound Roll Towel Dispenser (White)
- D68006 – Manual Hard Wound Roll Towel Dispenser (Black)

How to load the roll towel:



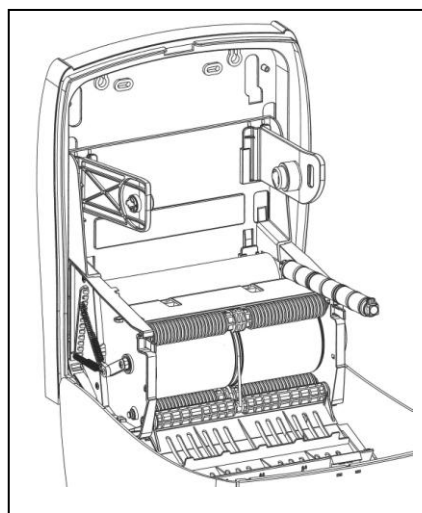
Step 1 –

Push in on both paper guide cover tabs to unlock the cover. Allow the cover to open all the way so that the paper can be fed into it.



Step 2 –

Push left side of the paper guide roller inward to unlock it from the dispenser.



Step 3 –

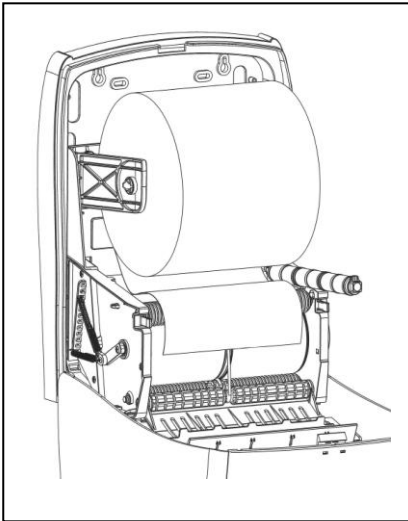
The paper is now ready to be loaded into the dispenser.

Manual Hands Free HWRT Dispenser

Loading Instructions

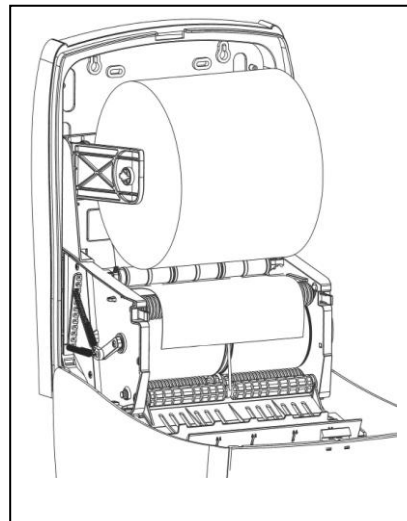
Dispenser Numbers: D68004 (Stainless), D68005 (White), D68006 (Black)

How to load the roll towel: (cont'd)



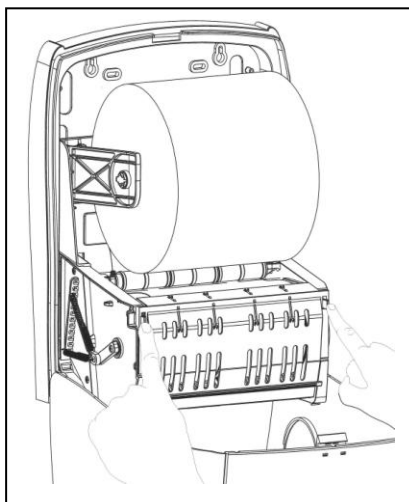
Step 4 –

Load the roll of towel into the dispenser with the paper tail coming off of the back of the roll. Allow the tail to hang over the front of the dispenser as shown.



Step 5 –

Rotate the paper guide roller back into position and lock it into place by reversing Step 2.

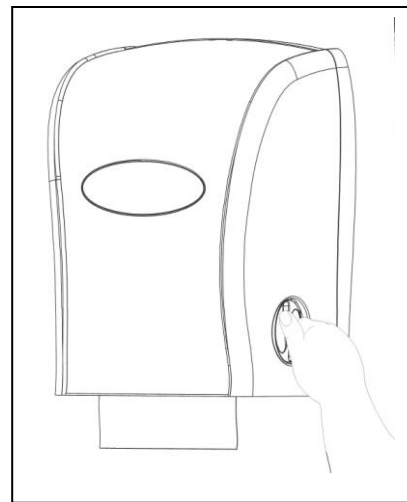


Step 6 –

Close the paper guide cover.

IMPORTANT: Make sure that both tabs fully “Snap” into place.

Note: Failure to properly close the paper guide cover could cause poor cutting of the paper.



Step 7 –

Close the dispenser cover and rotate the manual feed knob on the side of the dispenser until the paper starts to dispense. Pull several sheets of paper to insure the paper has been properly loaded.