

LoCor
by SOLARIS PAPER



Available in stainless steel, white and black finishes



D68004



D68005



D68006

LoCor® by Solaris Paper

Mechanical Hard Wound Roll Towel Dispenser

The touchless towel dispenser is designed to deliver one towel at a time, every time. This high capacity dispenser allows the user to only touch the towel they use, reducing the incidence of the spread of bacteria. This reliable dispenser is battery free for those customers that prefer not to use battery operated electronic dispensers.

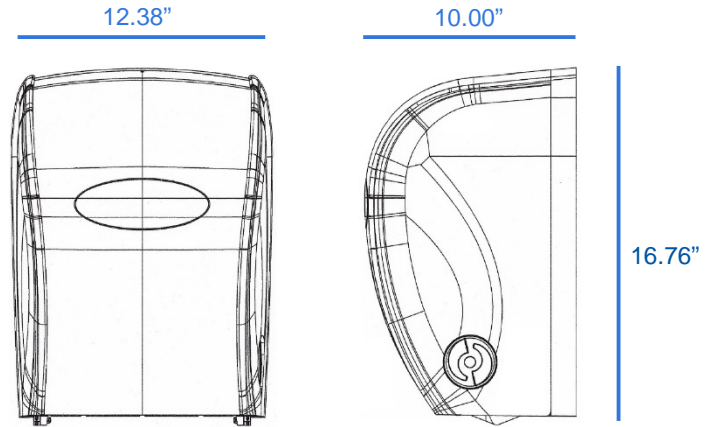
- Touchless hands-free operation with a quick, smooth paper delivery
- Low pull force virtually eliminating tabbing
- Emergency feed assists in paper advance if needed
- Double latch lock prevents tampering and theft
- Up to 1100 towels per roll of LoCor Towels (46901, 46902)
- Designed for LoCor® Towel products to maximize capacity and reduce waste
- Available in three attractive finishes that will enhance the décor of any washroom or work area



Premier Performance in a Mechanical Hands Free Dispenser



Together, LoCor dispensers and the innovative reduced core design of LoCor towel and tissue products reduce labor, lower costs and create a cleaner, safer restroom. LoCor paper products are derived from Rapidly Renewable Fiber (RRF). RRF products contribute to an environmentally friendly building operation, and meet the requirements of the U.S. Green Building Council (USGBC) LEED standards.



SKU	LoCor® Dispenser	Finish	Case Dimensions	Qty.	Case Wt.	Product Dimensions	Product Wt.
D68004	Mechanical HWRT Dispenser	Stainless	12.92" x 17.6" x 10.67"	1	6.7 lb.	12.38" x 16.76" x 10.00"	5.2 lb.
D68005	Mechanical HWRT Dispenser	White	12.92" x 17.6" x 10.67"	1	6.7 lb.	12.38" x 16.76" x 10.00"	5.2 lb.
D68006	Mechanical HWRT Dispenser	Black	12.92" x 17.6" x 10.67"	1	6.7 lb.	12.38" x 16.76" x 10.00"	5.2 lb.

LoCor Hard Wound Roll Towel



SKU	LoCor® Paper Product	Color	Ply	Emboss	Size (W x L)	Count	Items/Case	Total Case
46896	LoCor® HWRT (Mid Premium)	White	1-Ply	Full	8" x 800'	800 ft.	6 rolls	4,800 ft.
46897	LoCor® HWRT (Mid Premium)	White	1-Ply	Full	7" x 800'	800 ft.	6 rolls	4,800 ft.
46898	LoCor® HWRT (Economy)	White	1-Ply	Full	7" x 850'	850 ft.	6 rolls	5,100 ft.
46899	LoCor® HWRT (Premium)	White	1-Ply	Full	7" x 600'	600 ft.	6 rolls	3,600 ft.
46900	LoCor® HWRT (Premium)	White	1-Ply	Full	8" x 600'	600 ft.	6 rolls	3,600 ft.
46901	LoCor® HWRT (High Capacity)	White	1-Ply	Full	8" x 1000'	1000 ft.	6 rolls	6,000 ft.
46902	LoCor® HWRT (High Capacity)	White	1-Ply	Full	7" x 1000'	1000 ft.	6 rolls	6,000 ft.



SolarisPaper.com
 1-888-998-4778
 13415 Carmenita Rd.
 Santa Fe Springs, CA 90670